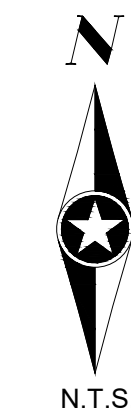
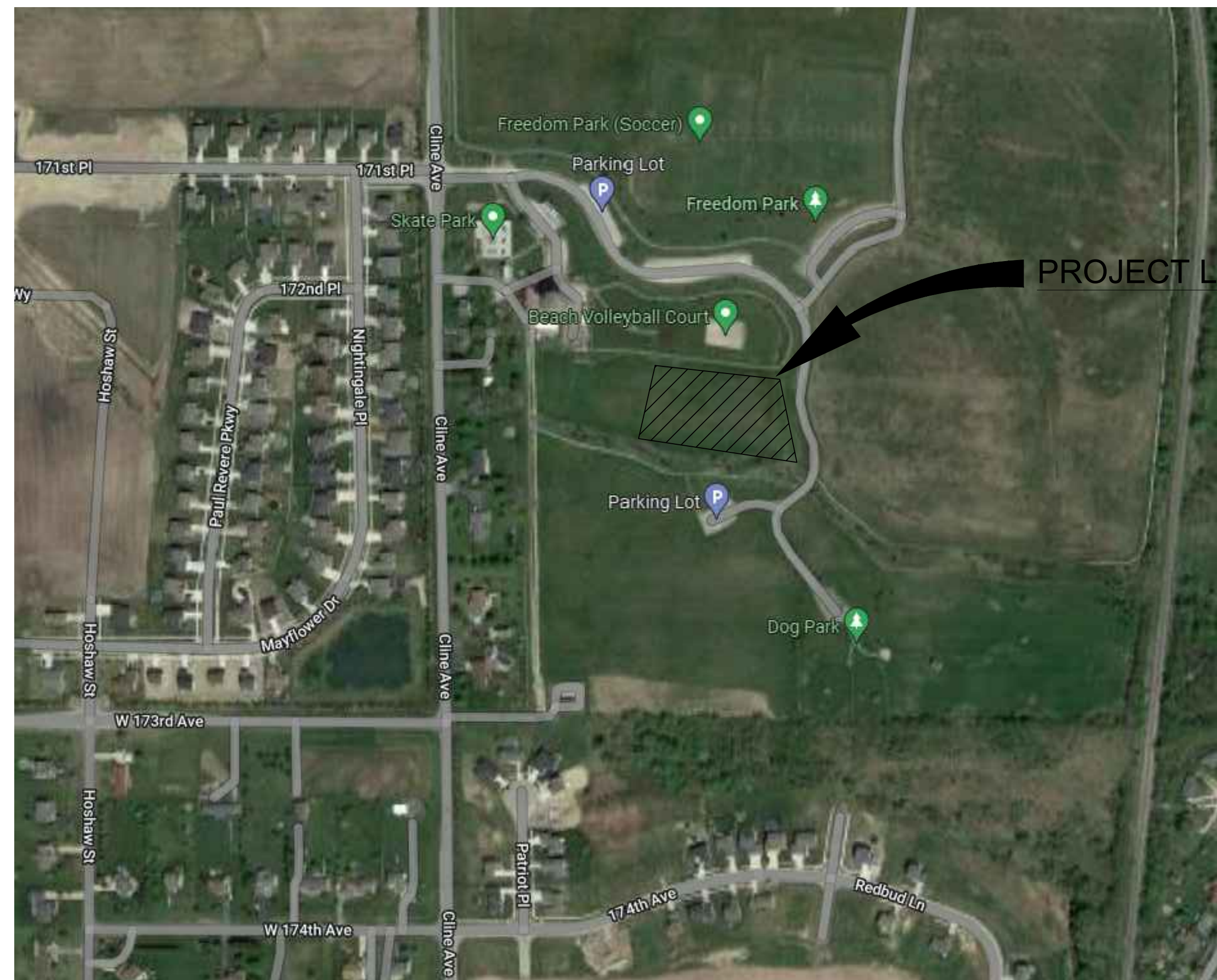


TOWN OF LOWELL, INDIANA

CONSTRUCTION PLANS FOR PICKLE BALL COURTS IN FREEDOM PARK PROJECT



GOVERNING SPECIFICATIONS

THE 2018 EDITION OF THE INDIANA DEPARTMENT OF TRANSPORTATION "STANDARD SPECIFICATIONS FOR CONSTRUCTION" SHALL GOVERN EXCEPT AS MODIFIED BY THE SPECIFICATIONS FOR THIS PROJECT.

ALL TRAFFIC CONTROL DEVICES SHALL CONFORM TO THE LATEST EDITION OF THE INDIANA MANUAL ON UNIFORM TRAFFIC CONTROL DEVICES, INCLUDING THE LATEST FIELD MANUAL FOR TEMPORARY TRAFFIC CONTROL ZONE LAYOUTS.

INDEX

SHEET NO.	DESCRIPTION
1	TITLE SHEET
2	SITE PLAN
3	PICKLE BALL SPECIFICATIONS

THIS PLAN CONTAINS 3 SHEETS.

LOWELL TOWN COUNCIL

TODD ANGERMAN, PRESIDENT, WARD 2
MICHAEL GRUSZKA, VICE PRESIDENT, WARD 1
JOHN YELKICH, WARD 5
JOHN ALLESIA, WARD 3
SHANE TUCKER, WARD 4

JUDY WALTERS, CLERK-TREASURER
CRAIG HENDRIX PE, TOWN MANAGER

FREEDOM PARK BOARD

HEIDI GOETZ-LAUB (WEST CREEK TOWNSHIP)
ALICE DAHL (CEDAR CREEK TOWNSHIP)
DOROTHY EICH (PARK ADVISORY)
JOHN ALLESIA (LOWELL TOWN COUNCIL)

PROJECT LOCATION



TOWN OF LOWELL,
LAKE COUNTY

LOWELL, INDIANA



EXISTING

	RIGHT OF WAY
	PERMANENT EASEMENT
	PROPERTY LINE
	R.R. RIGHT OF WAY
	SANITARY SEWER AND MANHOLE
	FORCE MAIN
	SANITARY SEWER SERVICE & CLEANOUT
	WATER MAIN, HYDRANT AND VALVE
	WATER SERVICE AND CURB STOP BOX
	WATER VALVE MANHOLE
	STORM SEWER, APRON, MANHOLE AND CATCH BASIN
	CULVERT
	BULKHEAD
	BURIED FIBER OPTIC CABLE, HANDHOLE
	BURIED FIBER OPTIC DUCT OR CONDUIT
	BURIED PHONE CABLE AND PEDESTAL
	BURIED PHONE DUCT OR CONDUIT AND MANHOLE
	BURIED TV CABLE AND PEDESTAL
	BURIED ELECTRIC CABLE
	BURIED ELECTRIC DUCT OR CONDUIT AND MANHOLE
	OVERHEAD ELECTRIC, POLE AND DOWN GUY ANCHOR
	LIGHT POLE
	TRAFFIC SIGNAL STANDARD
	GAS MAIN
	GAS SIGN, VALVE AND VENT
	PETROLEUM PIPELINE
	SOIL BORING
	TRAVERSE POINT
	CONCRETE CURB AND GUTTER
	EXISTING PAVEMENT OR SIDEWALK
	SIGN (HWY, PARK, STOP, ETC.)
	STREET NAME SIGN
	DITCH
	RAILROAD TRACKS
	FENCE (UNIDENTIFIED)
	BARBED WIRE FENCE
	CHAIN LINK FENCE
	ELECTRIC WIRE FENCE
	WOOD FENCE
	WOVEN WIRE FENCE
	PLATE BEAM GUARDRAIL
	CABLE GUARDRAIL
	DECIDUOUS AND CONIFEROUS TREE
	BUSH-SHRUB
	WOODED AREA
	WETLAND
	BUILDING

PROPOSED

	NEW RIGHT OF WAY
	PERMANENT EASEMENT
	TEMPORARY EASEMENT
	SANITARY SEWER AND MANHOLE
	FORCE MAIN
	SANITARY SEWER SERVICE & CLEANOUT
	WATER MAIN, HYDRANT AND VALVE
	WATER SERVICE AND CURB STOP BOX
	WATER VALVE MANHOLE
	STORM SEWER, MANHOLE AND CATCH BASIN
	CULVERT
	BULKHEAD
	DRAIN PIPE
	DITCH
	CONCRETE CURB AND GUTTER
	SILT FENCE
	FLOATATION SILT CURTAIN
	BIOROLL
	LIGHT POLE
	TRAFFIC SIGNAL, STANDARD
	SIGN (HWY, PARK, STOP, ETC.)
	STREET LIGHT FEED POINT
	STREET LIGHTING CABLE
	REMOVE TREE

NOTE:
THE SUBSURFACE UTILITY QUALITY INFORMATION IN THIS PLAN IS LEVEL D.
THIS UTILITY QUALITY LEVEL WAS DETERMINED ACCORDING TO THE
GUIDELINES OF CI/ASCE 38-02 ENTITLED "STANDARD GUIDELINES FOR THE
COLLECTION AND DEPICTION OF EXISTING SUBSURFACE UTILITY DATA."



Know what's below.
Call before you dig.

THE CONTRACTOR SHALL CALL THE 811 CALL SYSTEM
BEFORE COMMENCING EXCAVATION.

FILE NO.

2023-01

Craig Hendrix

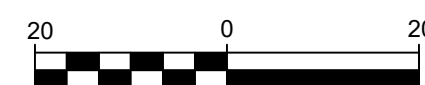
Signature

Date: 02/01/23

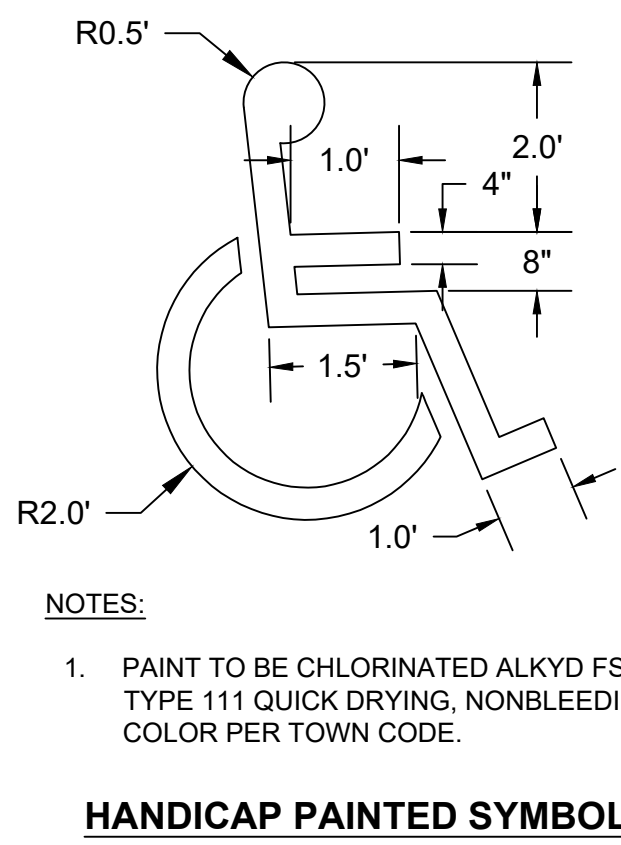
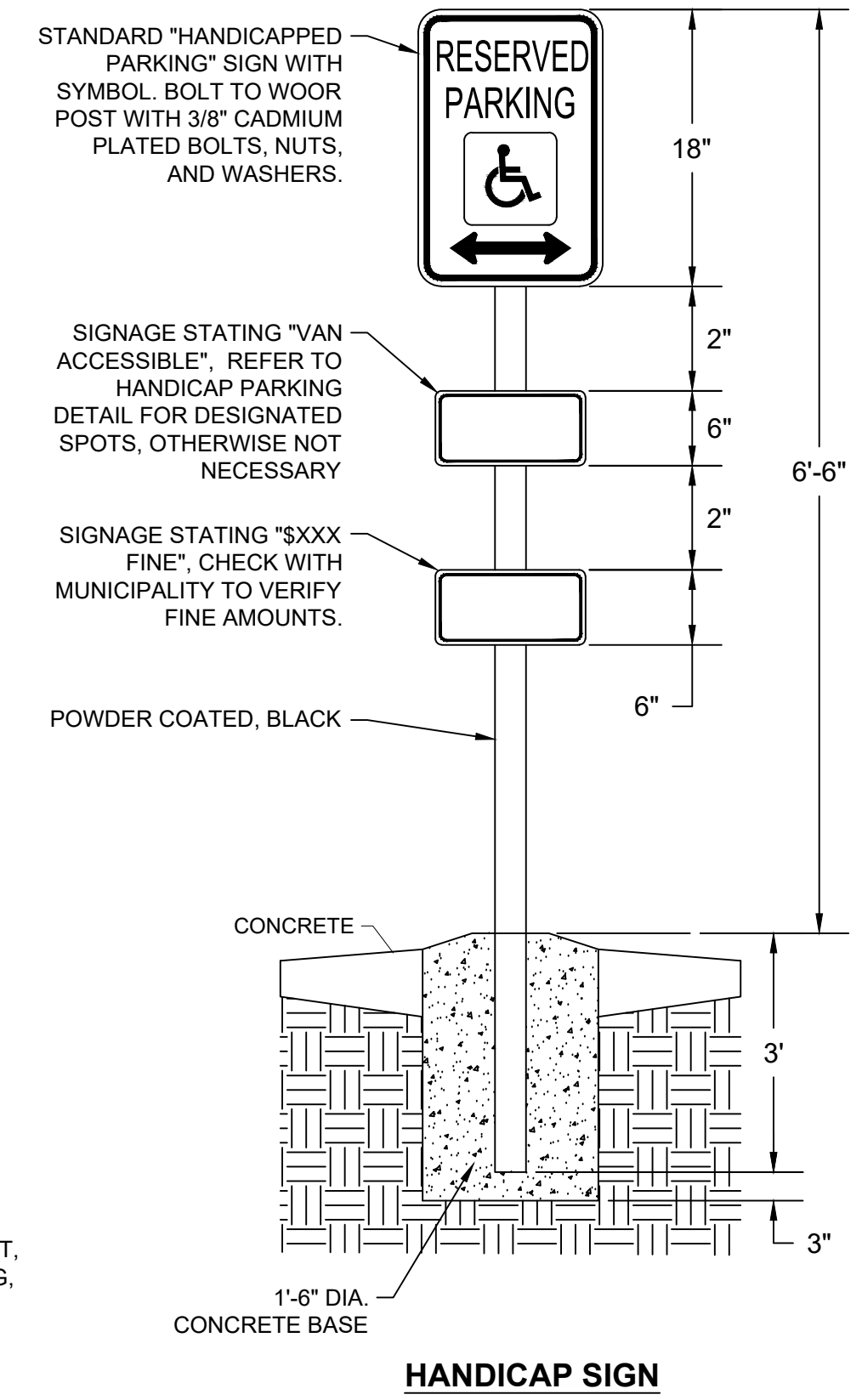
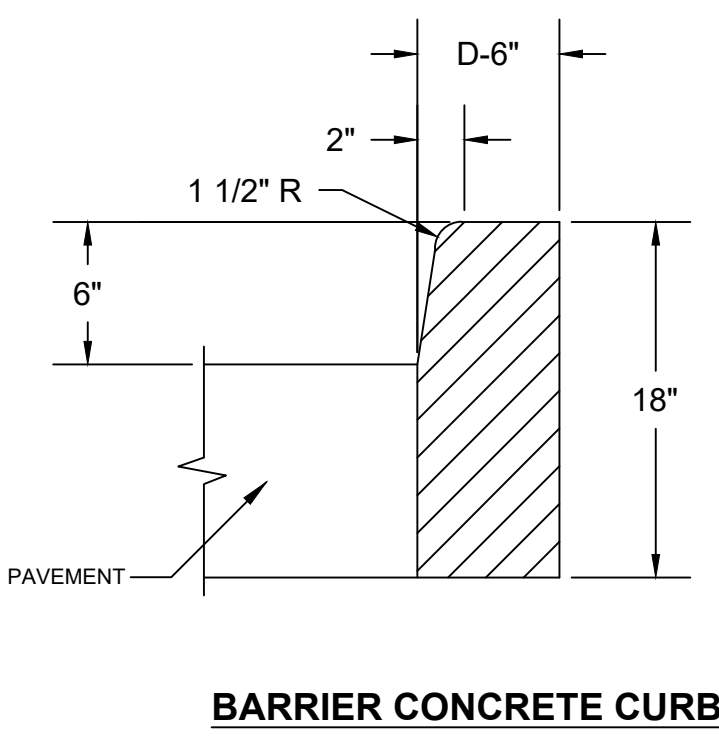
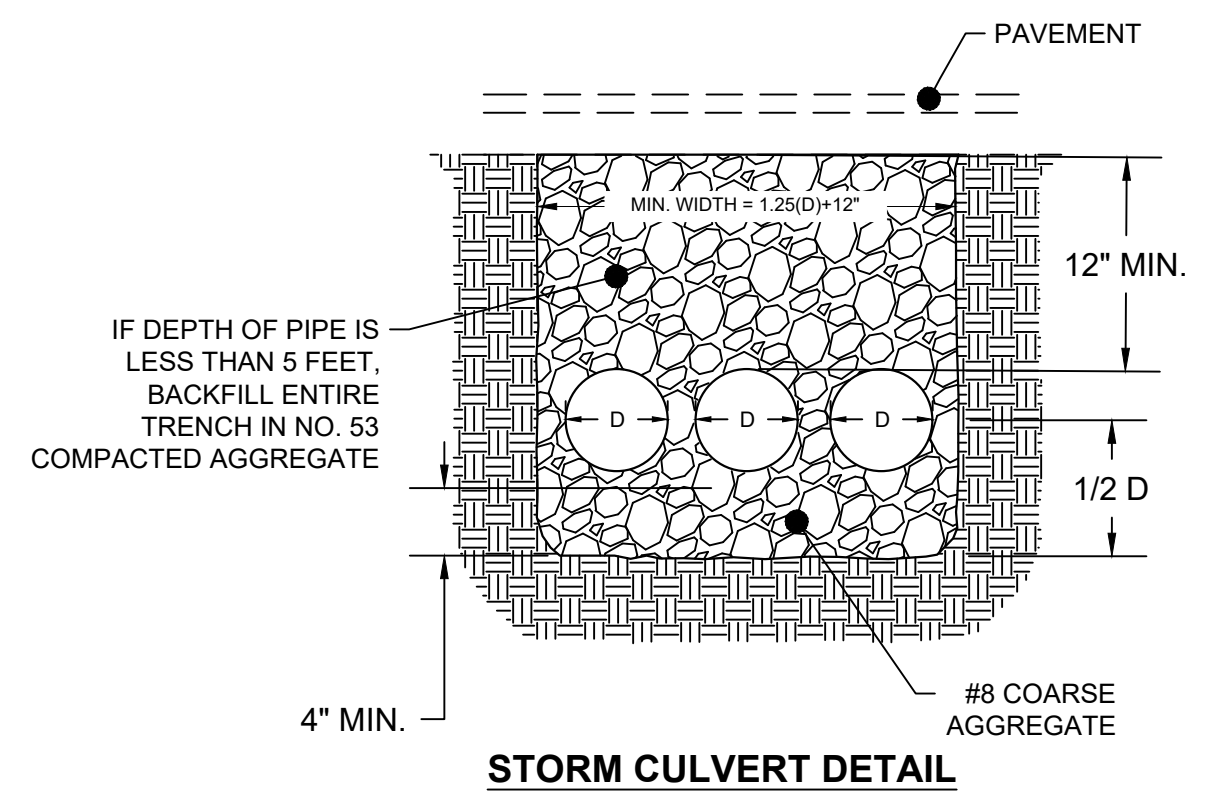
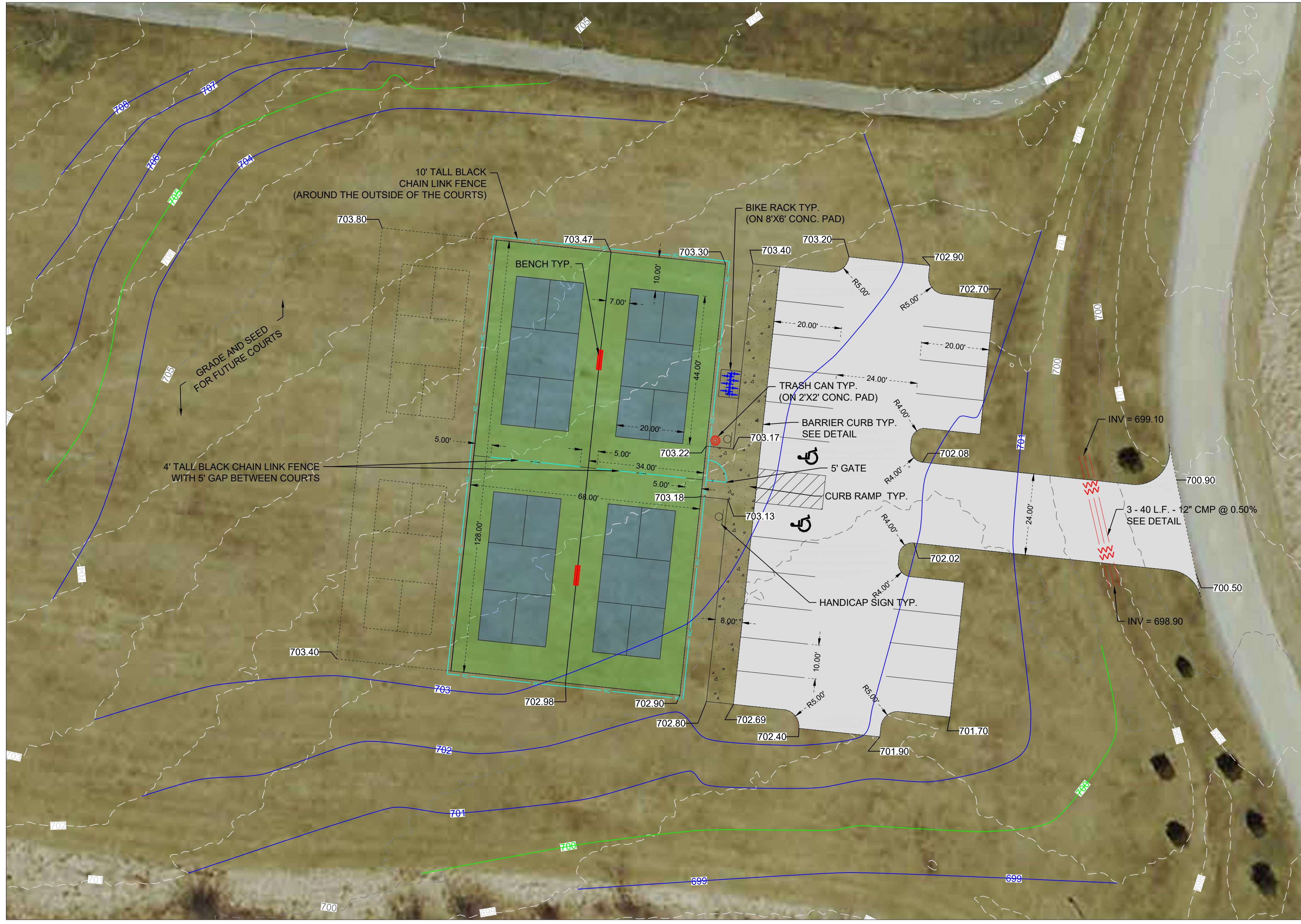
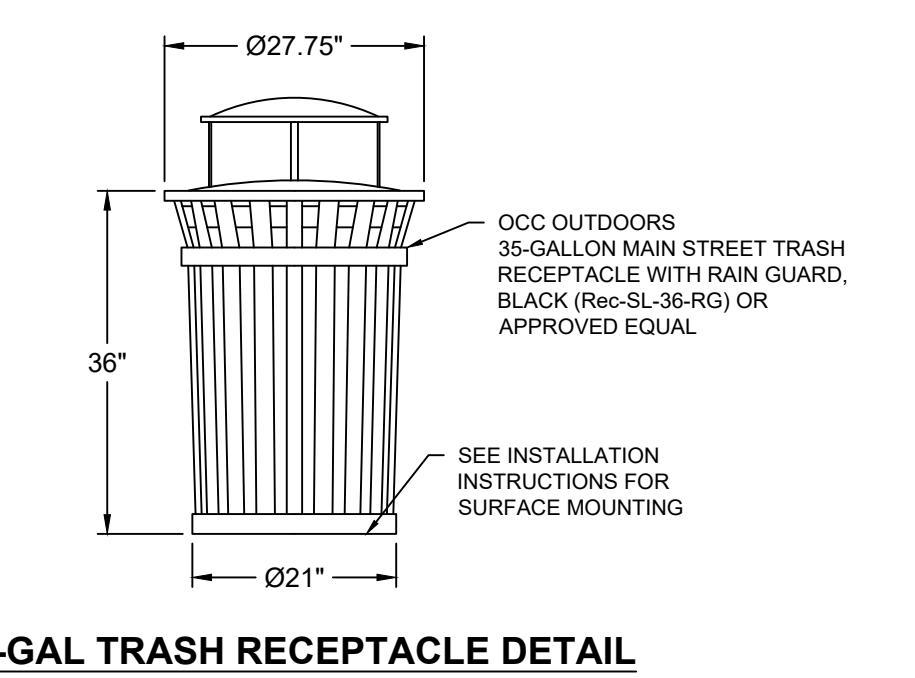
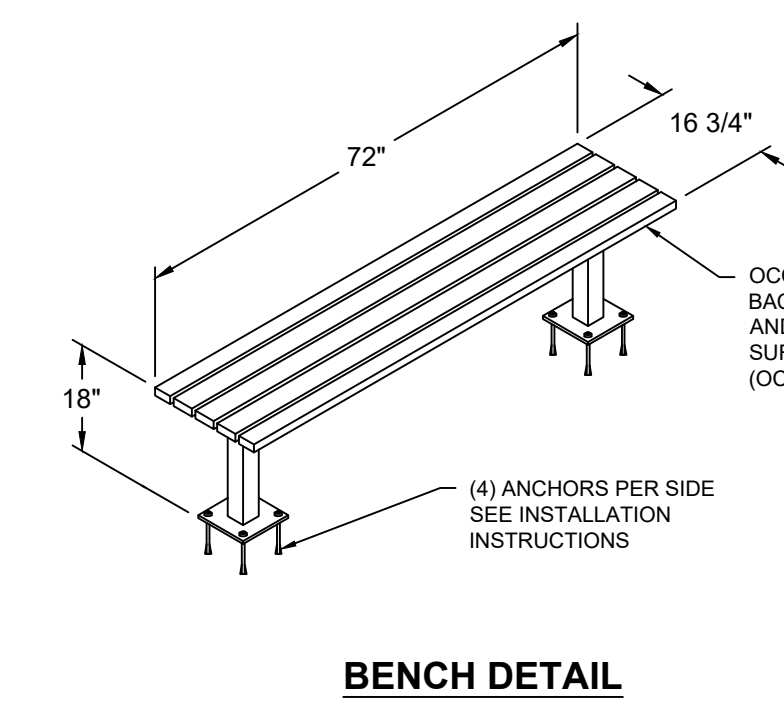
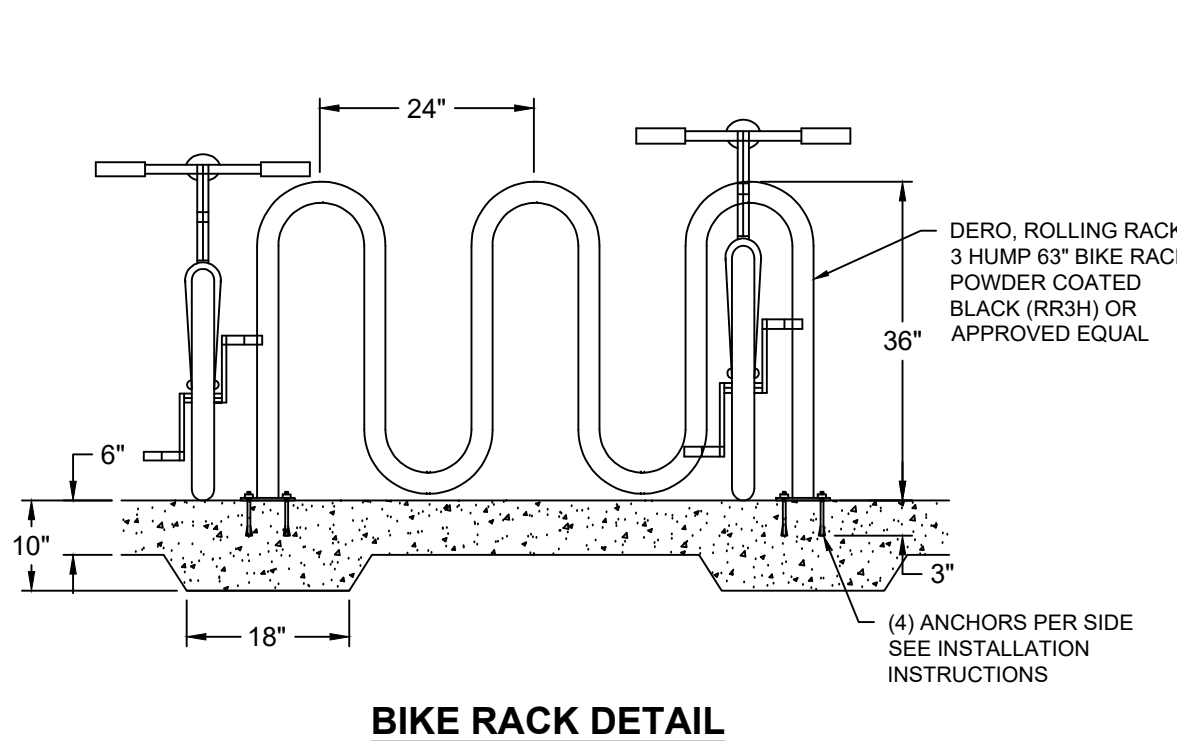
Lic. No. PE19500326

1

3



LEGEND	
	ASPHALT PAVING
	GEOFABRIC, CLASS 2, NON-WOVEN, MIRAFI, 160N OR EQUIVALENT
	1 1/2" HMA SURFACE, 9.5 mm
	2 1/2" HMA INTERMEDIATE, 19.0 mm
	8" COMPACTED AGGREGATE BASE NO. 53
	CONCRETE SIDEWALK/PICKLEBALL COURTS
	4" CONCRETE
	6" COMPACTED SAND OR AGGREGATE WITH 6"X6" WELDED WIRE FABRIC ON 8-MIL POLY
PARKING LOT	
HANDICAP STALLS	2
REGULAR STALLS	18
TOTAL	20



- NOTES:
- PAINT TO BE CHLORINATED ALKYL FS TT, TYPE 111 QUICK DRYING, NONBLEEDING, COLOR PER TOWN CODE.

FILE NO.	LOWELL
PROJECT NO.	2023-01
ISSUE DATE	02/01/23
DRAWN BY:	RPO
DESIGNED BY:	RPO
CHECKED BY:	CLH

NO.	BY	DATE	REVISIONS

TOWN OF LOWELL
INDIANA

FREEDOM PARK PROJECT
PICKLEBALL COURTS - FINAL DESIGN
TOWN OF LOWELL, IN 46356

— Instruction Manual —

PK10XL

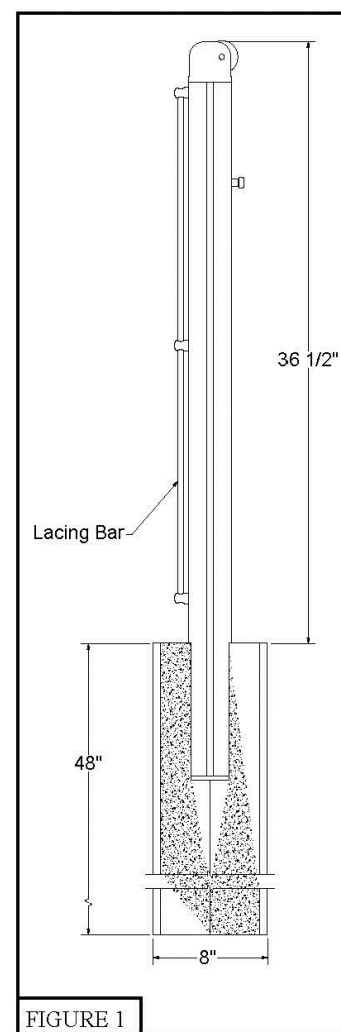
Competition Pickleball System

PARTS LIST

Item	Qty	Description	Item	Qty	Description
A	1	Winch Post	E	1	TN10CS Center Court Hold Down Strap
B	1	Non-Winch Post	F	1	TNCSA Center Strap Anchor
C	1	Removable Winch Handle	G	2	Lacing Cord
D	1	PK10NXL Pickleball Net	H	2	PK23 or PK235 Socket (Optional)

- Inspect all contents prior to installation. Report any missing parts to dealer immediately.
- Read all instructions before proceeding.

- Use the attached court diagram to determine where to locate and dig two 8" round and 48" deep holes 22 feet apart. See Figure 1.
- Insert *Winch* (A) and *Non-Winch* (B) posts into the holes with the lacing bars facing the pickleball court and fill holes with concrete. Each hole will require between 6 and 8 1/3 cubic foot bag of concrete. Make sure to brace posts while concrete is curing to maintain the 36 1/2" dimension and ensure the post remain perpendicular to the court surface. See Figure 1.



- Dig one 8" round and a minimum 12" deep hole centered between the two pickleball posts (make sure to bell out the bottom of the hole). Insert *TNCSA Center Strap Anchor* (F) with the strap retaining bar running parallel with the *PK10NXL Net* (D) and fill hole with concrete. The hole will require 2 to 3 1/3 cubic bags of concrete. See Figure 2.
- Concrete must cure 7-10 days before continuing with *PK10NXL Pickleball Net* (D) installation.
- Stretch out *PK10NXL Pickleball Net* (D) across the court.

- Hook the loop on the *PK10NXL Pickleball Net* (D) top cable around the net retaining pin on *Non-Winch Post* (B) and over the top pulley. See Figure 3.
- Cut off loop and remove 12" of nylon cable coating from the top net cable, insert cable into the winch cable hole on the *Winch Post* (A). Use the *Removable Winch Handle* (C) to crank cable until you achieve 34" at the center of *PK10NXL Pickleball Net* (D). See Figure 4.

Note:
Use models PK23 or PK235 (H) for removable post installation. Use instructions provided with these sockets for installation procedure.

Date: 11/7/2018 Rev: 1 B.A. N.J.C. File: 'pub\pk10xl Ref: 960921

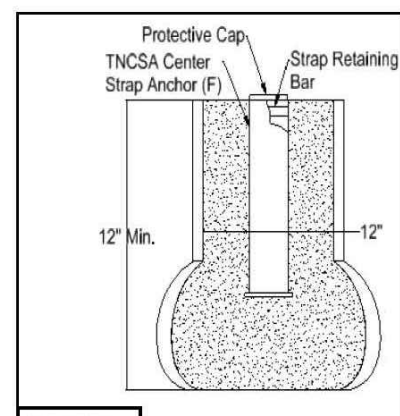


FIGURE 2

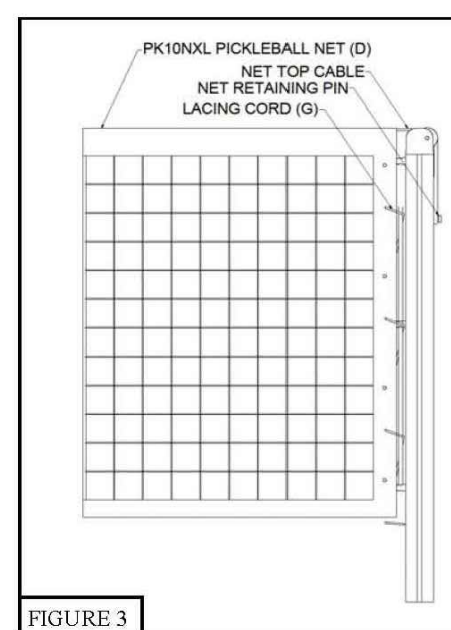


FIGURE 3

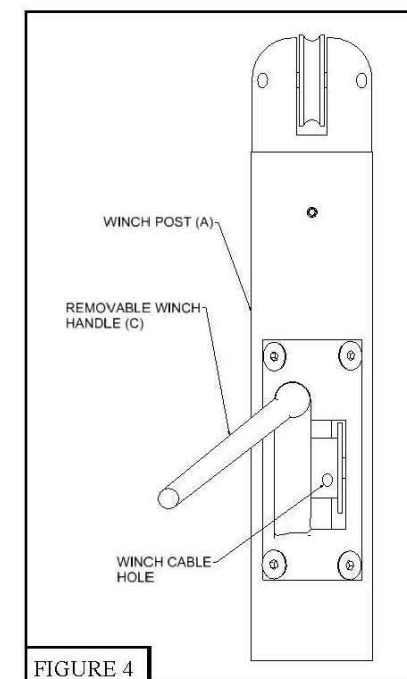
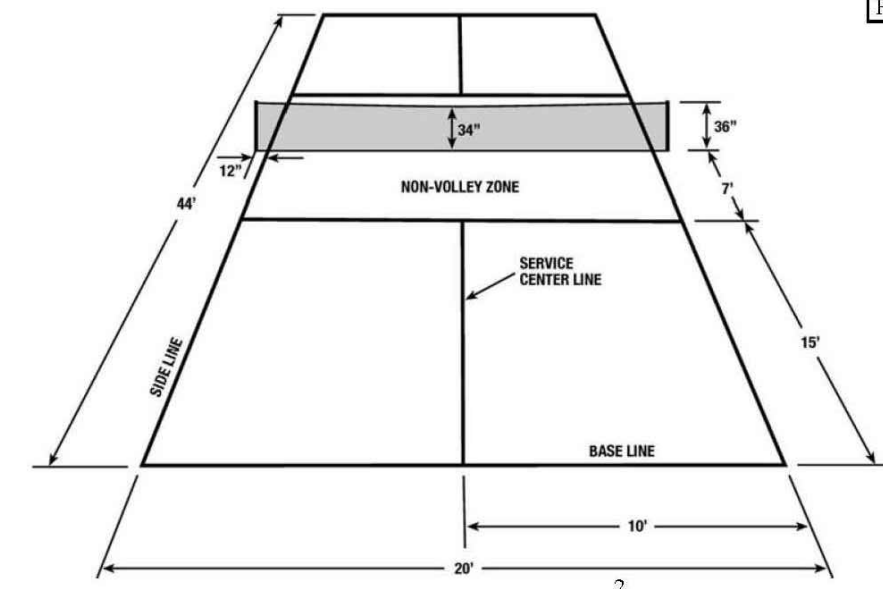


FIGURE 4



- Insert dowels through the end side tapes of *PK10NXL Pickleball Net* (D).

- Square up *PK10NXL Pickleball Net* (D) to each post, use *Lacing Cord* (G) to secure *PK10NXL Pickleball Net* (D) to each post. See Figure 3.

- Attach *TN10CS Center Court Hold Down Strap* (E) to the strap retaining bar in the *TNCSA Center Strap Anchor* (F). Adjust *TN10CS Center Court Hold Down Strap* (E) so top of *PK10NXL Pickleball Net* (D) measures 34" at the center. See Figure 2.

— Instruction Manual —

VB21, VB22, VB235, TN23, TN235, PK23 AND PK235

Standard Floor Sockets for Non Floating Floors

Notice:
While this product is most commonly used for volleyball systems, it can also be used for tennis, pickleball and other net games that include posts of the same size and where removable installation is desired.

PARTS LIST

Item	Qty	Description	Item	Qty	Description
A	1	Socket Assembly	D	3	1/4" Button Head Screw
B	1	Cover	E	3	1/4" Flat Washer
C	1	Cover Cap	F	1	5/32" Hex Key

- Inspect all contents prior to installation. Report any missing parts to dealer immediately.
- Read all instructions before proceeding.

- Use the 5/32" Hex Key (F) to attach *Cover* (B) to the *Socket Assembly* (A) with the 1/4" Button Head Screws (D). Make sure the 1/4" Flat Washers (E) are in between the 1/4" Button Head Screw (D) and *Socket Assembly* (A). See Figure 1.
- Determine locations for floor sockets, volleyball sockets should be positioned 37" center to center. Tennis sockets should be 42 3/4" center to center. Pickleball sockets should be 22'-0" See Figures 4, 5, and 6.

Caution:
Protect socket opening, do not allow mortar or concrete to enter the socket. Make sure the sockets are perpendicular to the playing surface. Fill hole partly full, embed socket and fill in around socket carefully. Allow mortar or concrete to cure completely before applying tension to the net.

- When installing sockets indoors the hole needs to be 8" diameter X 15" deep for volleyball and 30" deep for tennis. See Figure 2.
- When installing sockets outdoors the hole needs to be 10" diameter X 30" deep.
- Use *Cover Cap* (C) when socket is not in use.

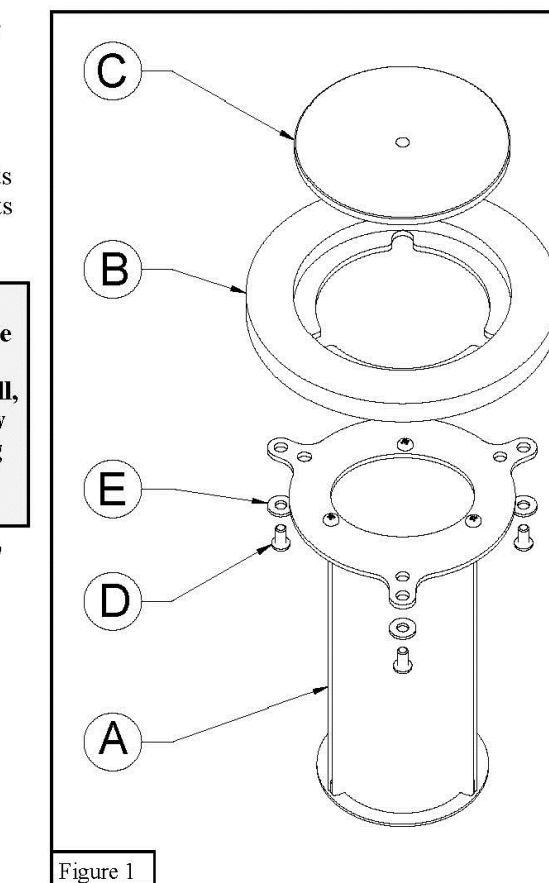


Figure 1

Implementation Date: 05/02/2022 Rev: 12 N.J.C. File: //hisonserver/publisher/instructions/standardfloorsocket.pub Ref: 960048

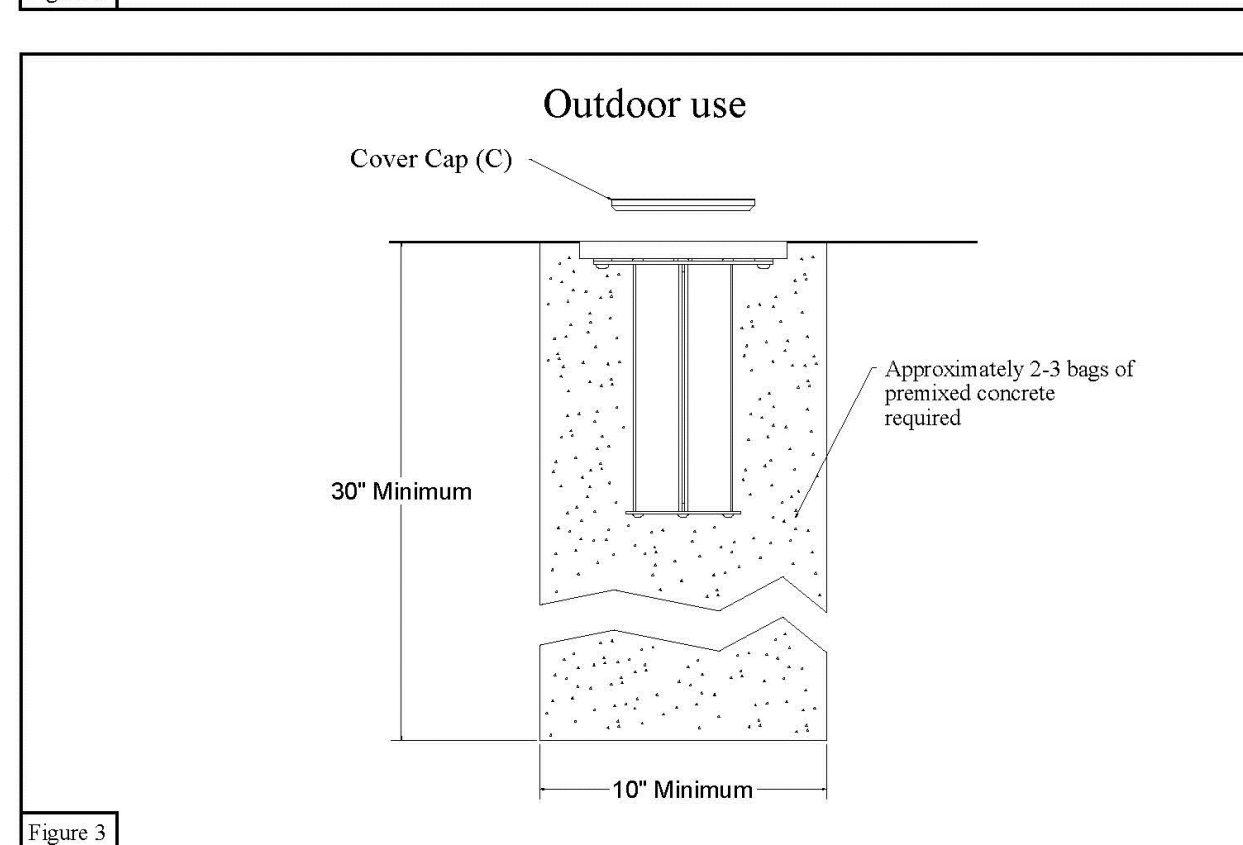
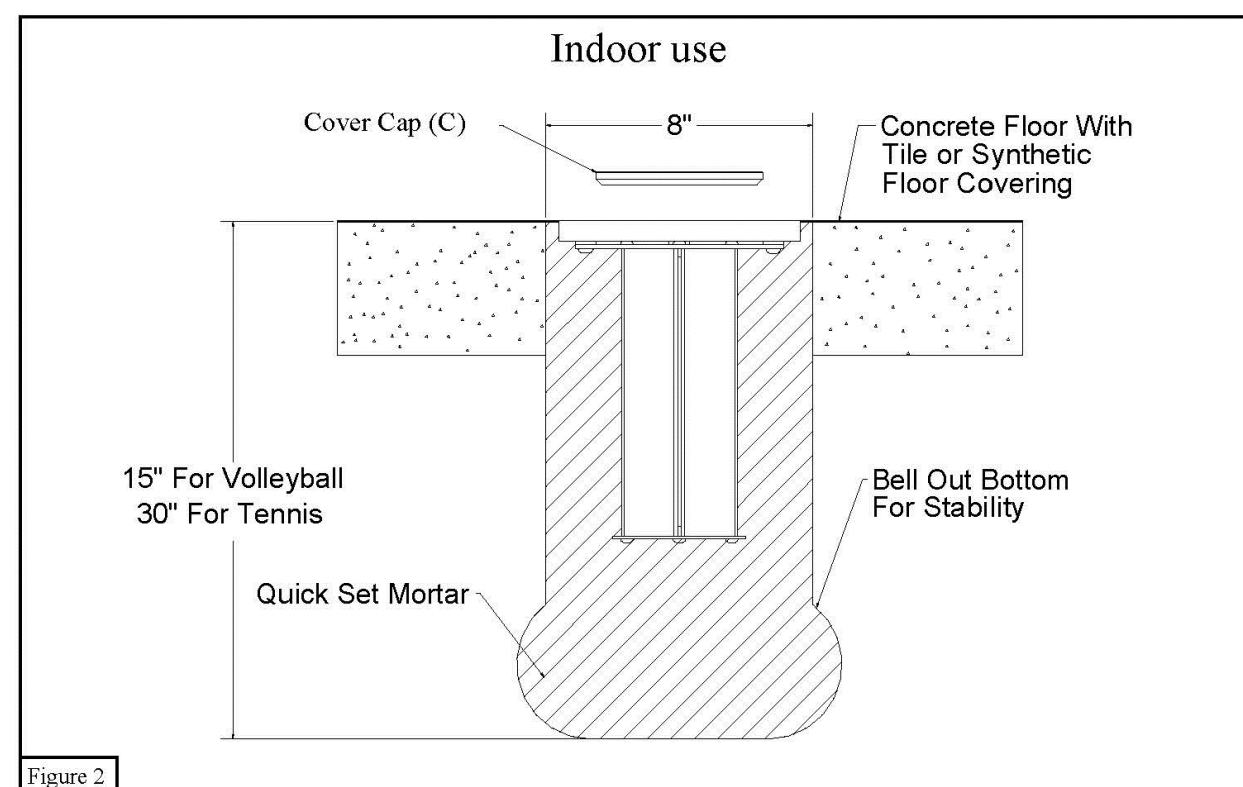
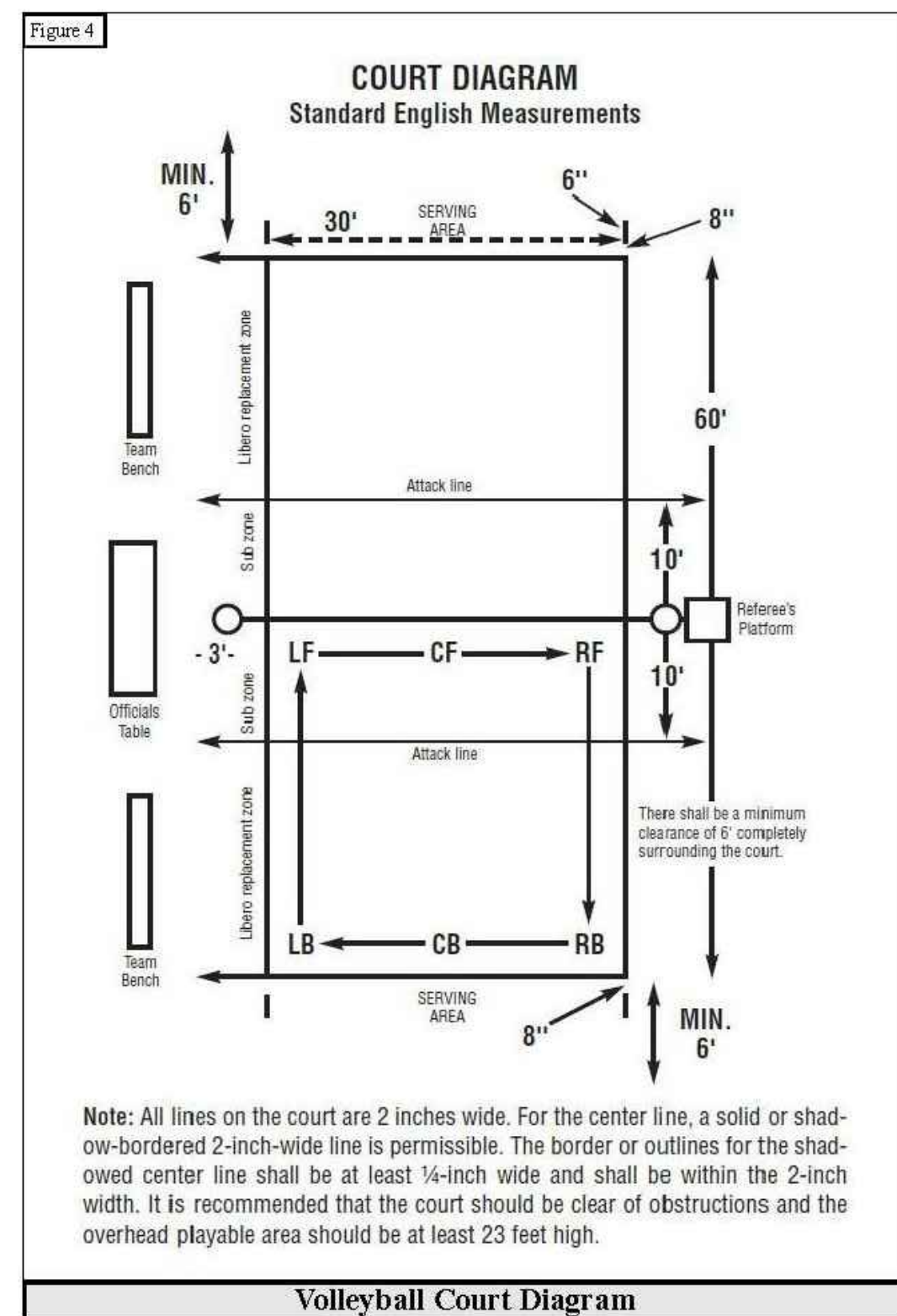
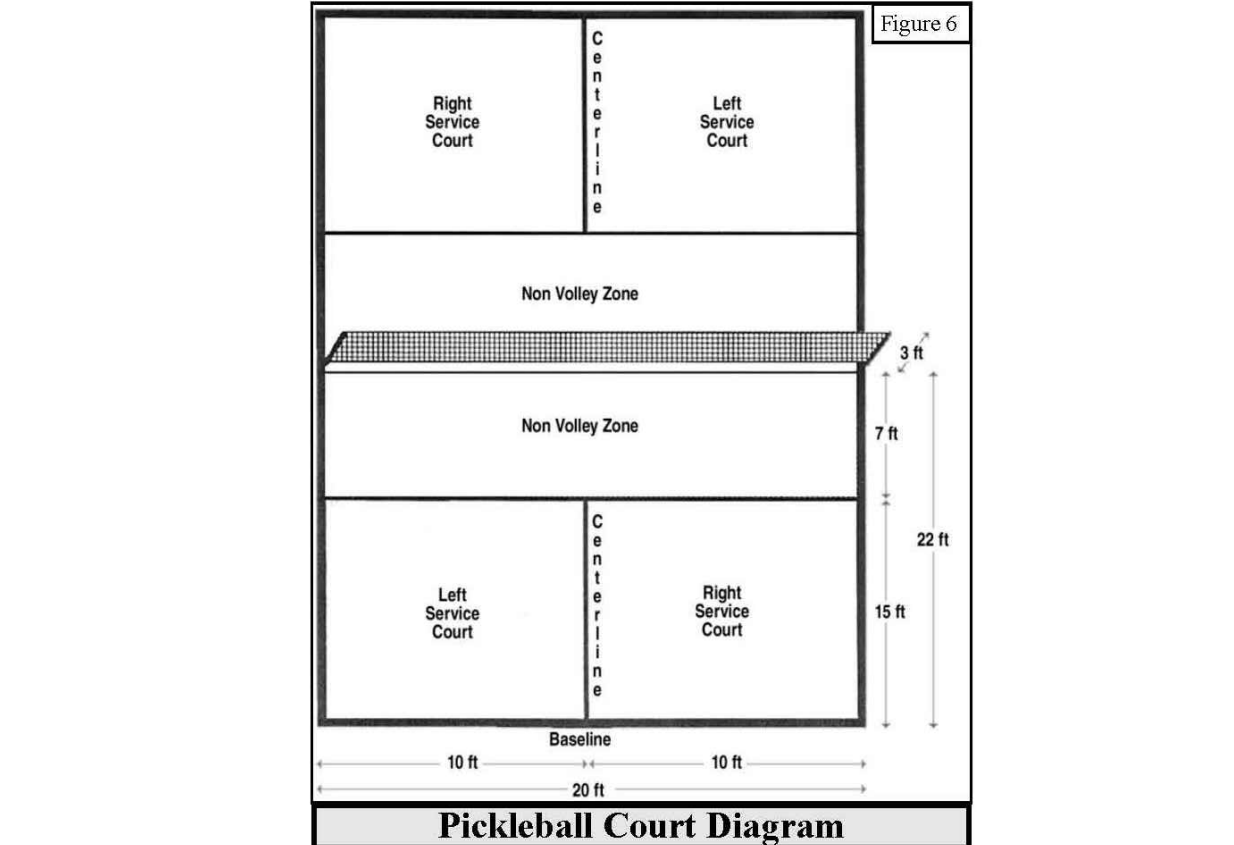
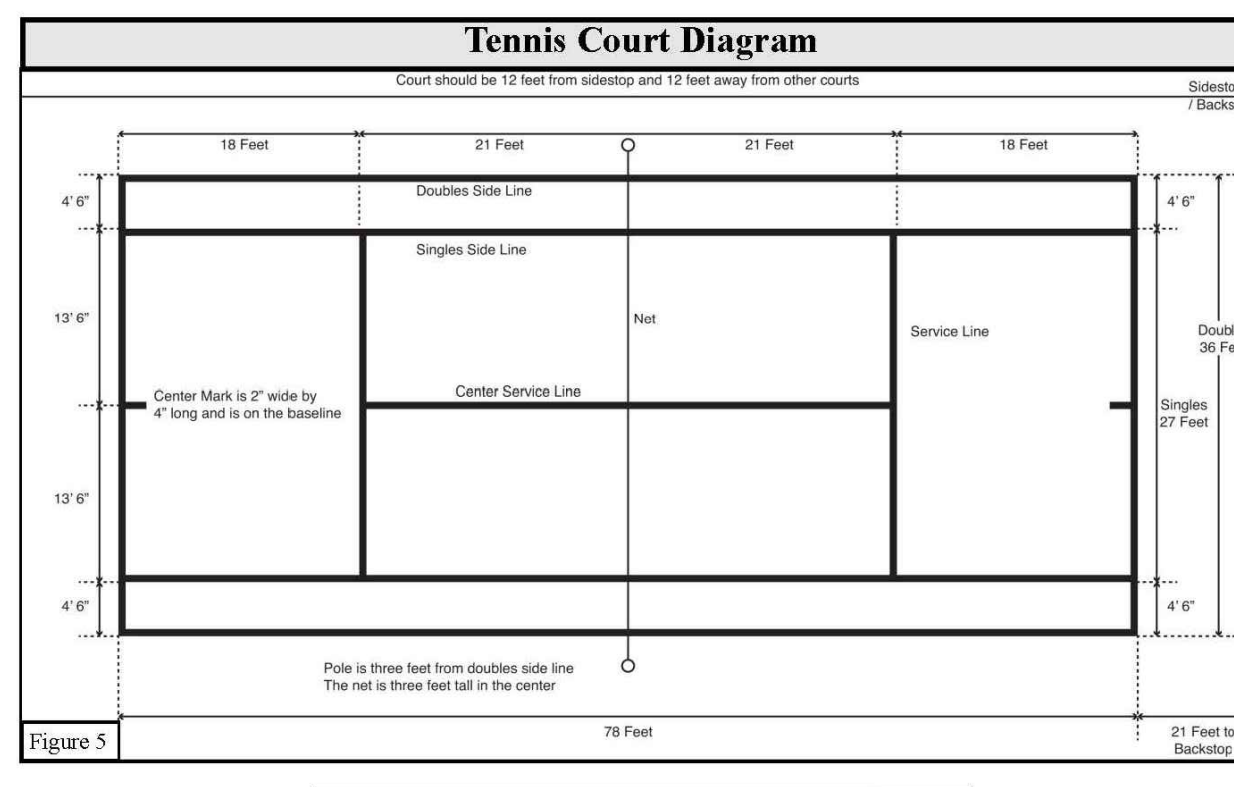


Figure 3



Volleyball Court Diagram

Note: All lines on the court are 2 inches wide. For the center line, a solid or shadow-bordered 2-inch-wide line is permissible. The border or outlines for the shadowed center line shall be at least 1/4-inch wide and shall be within the 2-inch width. It is recommended that the court should be clear of obstructions and the overhead playable area should be at least 23 feet high.



Pickleball Court Diagram

FILE NO.	LOWELL				
PROJECT NO.	2023-01				
ISSUE DATE	02/01/23				
DRAWN BY:	RPO				
DESIGNED BY:	RPO				
CHECKED BY:	CLH				
	NO.	BY	DATE	REVISIONS	

TOWN OF LOWELL
INDIANA

**FREEDOM PARK PROJECT
PICKLEBALL COURTS - FINAL DESIGN
TOWN OF LOWELL, IN 46356**

3
3